

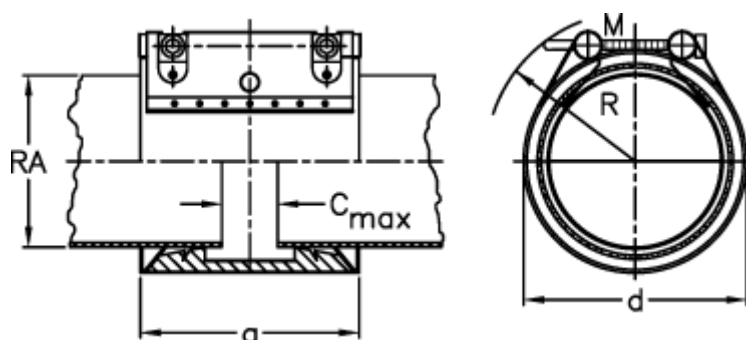
Data Sheet



Article number: 025819360090

Description: Norma Connect pipe coupling
PLAST GRIP PGL W5 Ø=90,0 EPDM, 16 bar

Measures



a = 98.0

C max with insertion band = 25

d = 110

M (screw) = M10

Nominal pressure (bar) = 16

R = 130

RA = 90.0

RA min-RA max plastic = 89,0-91,0

Weight a piece = 1.6